

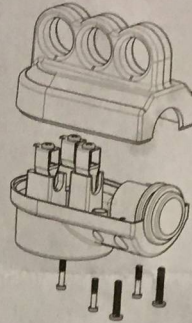
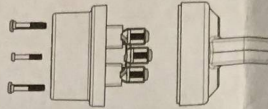
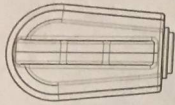
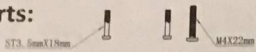
Sku# RM-650HR
Desc: 250V 50A Straight Blade Connector



NEMA: 6-50R



Parts:



Fits for:

S,SO,SOO,ST,STO,STOO,SOW,SOOW,STW,STOW,STOOW,SE,SEO,SEOO
 SEW,SEOW,SEOO

Max Wire Gauge:

6AWG/3C

Cable Color Scheme:

Green=G-Ground Conductor connected to "Green" marking terminal.

Caution & Warning:

For indoor and copper wire use only!

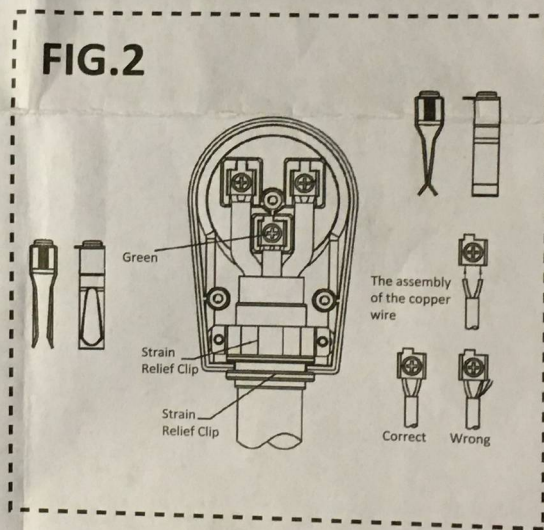
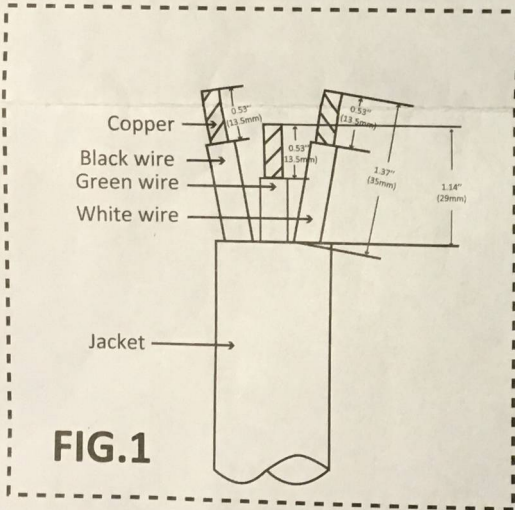
ELECTRICAL SHOCK AND FIRE HAZARD!

Prevent the risk of Electrocutation of Fire,ensure the connector and connecting cables are NOT connected to a power source during installation! Refer a qualified electrician if unsure of installation.

Tools Required for Assembly:

Screwdriver, Wire Stripper.

Installation Instruction:



STEP 1: Preparing the cable (FIG.1)

- 1.Remove original cord end.
- 2.Strip the outer jacket back from the end of the cord,by 1.37"(35mm).Be careful not to cut into the insulation of the inner wire.
- 3.Cut the Green wire so it protrudes 1.14"(29mm) from the jacket
- 4.Strip 0.53"(13.5mm) of all the colored conductor cables.

STEP 2: Assembly (FIG.2)

- 1.loosen the three holding screws from the face of the connector and remove cover.
2. Loosen the strain relief screws(two large screws) enough to accept the cord and the jacket.
- 3.Slide the cord into the strain relief until the edge of the stripped cable is protruding Past the inside edge of the strain relief.
- 4.Connect the exposed copper on each of the wire to the appropriate terminal as shown In the drawing above and tighten screws securely.
- 5.Tighten the strain relief, replace the handle,making sure it is on the back side of the tang and replace the cover.

⚠ WARNING: This product can expose you to chemicals including phthalate compounds, which are known to the State of California to cause cancer and birth defects or other reproductive harm. For more information go to www.P65Warnings.ca.gov.

Made in China